



## SAFETY RELIEF VALVES

**Art.1917 – 1917M – 1917MAN – 1917SUN – 1918 – 1918MAN – 1927 – 1927M – 1927MAN – 1927SUN – 1928 – 1928MAN**

Safety relief valves for heating and hot water systems with operating pressure from 1,5 to 10 bar, manufactured in compliance with the key safety requirements

The safety relief valves are used in water and heating systems to control the pressure respectively in case of stored hot water or on boilers.

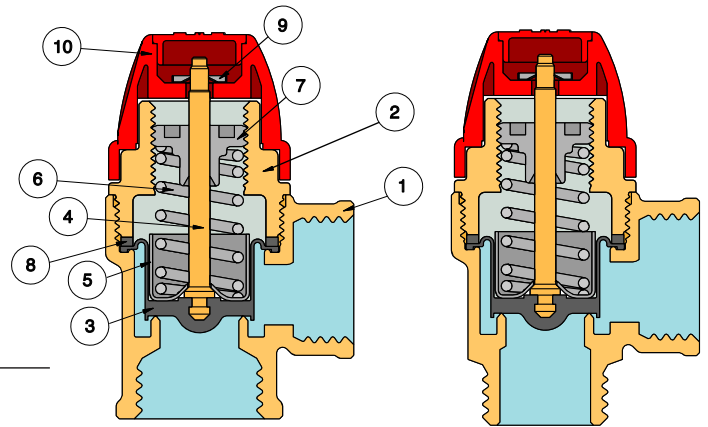
The use of the safety relief valve avoid damages to the circuit and relevant components by

discharge in atmosphere pressure value higher than the safety relief setted value.

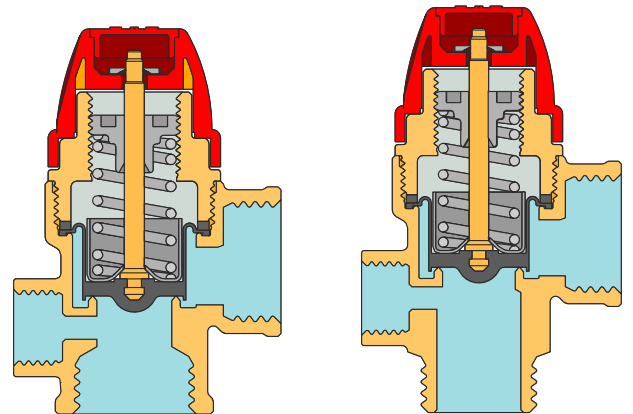


### Technical Features

Maximum temperature :	120°C / 160°C (for "SUN" versions)
Minimum temperature :	- 5°C
Nominal pressure :	PN10
Medium :	water and glycol solution
PED category:	IV
Maximum percentage of glycol :	50%
Max opening over pressure :	10%
Min closing differential :	20%
Threads :	female ISO 228 / ISO7 (for versions with bigger outlet size and "SUN") male ISO 228



Description	Material	Treatment
① Body	Brass CW617N-EN12165	-
② Lock nut	Nylon Pa6	-
	Brass CW617N (for "SUN" versions)	-
③ Diaphragm	Etylene Propylene Rubber EPDM	-
④ Stem	Brass CW617-EN12164	-
⑥ Spring holder	Steel	Zinc plated
⑧ Spring	Steel EN 10270-1-SM	Zinc plated
⑦ Regulation scew	Aluminium alloy ZL0410-UNI EN 1774	-
⑧ Gasket	P.T.F.E. C755 carbon 25%	-
⑨ Elastic ring	Steel C70	-
⑩ Handle	ABS Polymer	-



### Working principle

The membrane (3), contrasted by a calibrated spring (6), is lifted when the calibration pressure is reached and completely opens the drain flow.

The calibration pressure is chosen according to the maximum allowable pressure in the system.

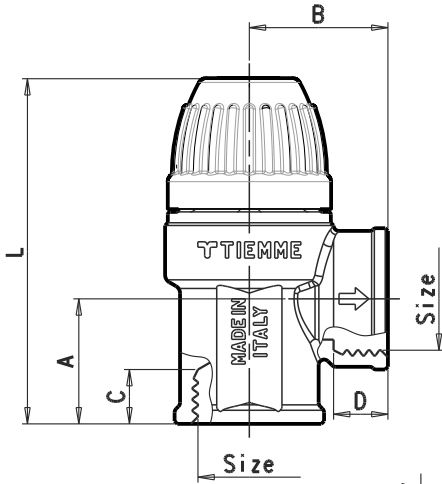
The diameter of the outlet is equal to or greater to facilitate the discharge of the required potential.

Upon pressure decrease, the opposite action occurs, with the subsequent closing of the valve within the set tolerances.

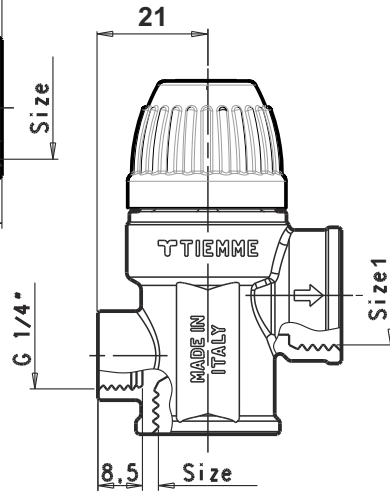
### Certifications

CE 0425

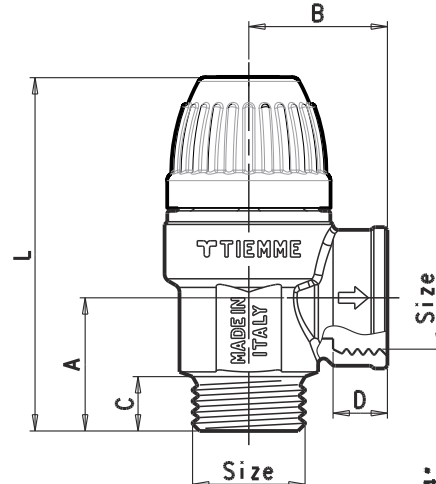




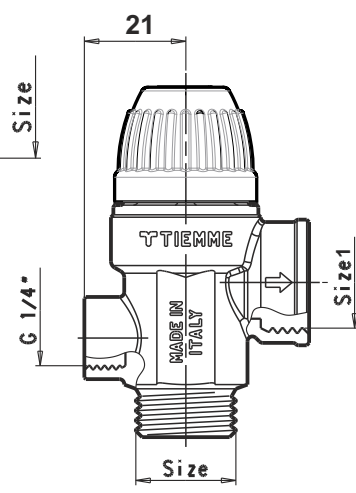
Art.1917 - 1927  
Art.1917M - 1927M



Art.1917MAN - 1927MAN



Art.1918 - 1928



Art.1918MAN - 1928MAN

Sizes table

Codice Code	A	B	C	D	L	Size	Size 1	Pressione di intervento Operating pressure	Potenza max caldaia Max power boiler
1920013 - 1920061 ^	23	25,5	10	10	63,5	1/2"	1/2"	1,5 bar	47,8 kW
1920014	23	28,5	13	13	66,5	3/4"	3/4"	1,5 bar	47,8 kW
1920066 *	25,5	33,5	16,5	18	69	1/2"	3/4"	1,5 bar	47,8 kW
1920072	35,5	38	16	16	96	1"	1"	1,5 bar	136,8 kW
1920052 - 1920079 ^	24,5	25,5	10	10	65	1/2"	1/2"	1,5 bar	47,8 kW
1920086	37	38	16	16	97,5	1"	1"	1,5 bar	136,8 kW
1920033 - 1920062 ^	23	25,5	10	10	63,5	1/2"	1/2"	1,8 bar	55 kW
1920027	23	28,5	13	13	66,5	3/4"	3/4"	1,8 bar	55 kW
1920067 *	25,5	33,5	16,5	18	69	1/2"	3/4"	1,8 bar	55 kW
1920073	35,5	38	16	16	96	1"	1"	1,8 bar	157,4 kW
1920078 - 1920080 ^	24,5	25,5	10	10	65	1/2"	1/2"	1,8 bar	55 kW
1920087	37	38	16	16	97,5	1"	1"	1,8 bar	157,4 kW
1920025 - 1920063 ^	23	25,5	10	10	63,5	1/2"	1/2"	2 bar	58,2 kW
1920034	23	28,5	13	13	66,5	3/4"	3/4"	2 bar	58,2 kW
1920048 *	25,5	33,5	16,5	18	69	1/2"	3/4"	2 bar	58,2 kW
1920074	35,5	38	16	16	96	1"	1"	2 bar	166,7 kW
1920045 - 1920081 ^	24,5	25,5	10	10	65	1/2"	1/2"	2 bar	58,2 kW
1920088	37	38	16	16	97,5	1"	1"	2 bar	166,7 kW
1920008 - 1920046 ^	23	25,5	10	10	63,5	1/2"	1/2"	2,5 bar	67,9 kW
1920012	23	28,5	13	13	66,5	3/4"	3/4"	2,5 bar	67,9 kW
1920042 *	25,5	33,5	16,5	18	69	1/2"	3/4"	2,5 bar	67,9 kW
1920075	35,5	38	16	16	96	1"	1"	2,5 bar	194,4 kW
1920041 - 1920082 ^	24,5	25,5	10	10	65	1/2"	1/2"	2,5 bar	67,9 kW
1920089	37	38	16	16	97,5	1"	1"	2,5 bar	194,4 kW
4720080 *	25,5	33,5	16,5	18	69	1/2"	3/4"	2,5 bar	67,9 kW
1920001 - 1920028 ^	23	25,5	10	10	63,5	1/2"	1/2"	3 bar	77,8 kW
1920003	23	28,5	13	13	66,5	3/4"	3/4"	3 bar	77,8 kW
1920040 *	25,5	33,5	16,5	18	69	1/2"	3/4"	3 bar	77,8 kW
4720011 *	25,5	33,5	16,5	18	69	1/2"	3/4"	3 bar	77,8 kW
1920004	35,5	38	16	16	96	1"	1"	3 bar	222,8 kW
1920002 - 1920032 ^	24,5	25,5	10	10	65	1/2"	1/2"	3 bar	77,8 kW
1920090	37	38	16	16	97,5	1"	1"	3 bar	222,8 kW
1920060 - 1920064 ^	23	25,5	10	10	63,5	1/2"	1/2"	3,5 bar	86,6 kW
1920054	23	28,5	13	13	66,5	3/4"	3/4"	3,5 bar	86,6 kW
1920068 *	25,5	33,5	16,5	18	69	1/2"	3/4"	3,5 bar	86,6 kW



Codice Code	A	B	C	D	L	Size	Size 1	Pressione di intervento Operating pressure	Potenza max caldaia Max power boiler
1920076	35,5	38	16	16	96	1"	1"	3,5 bar	247,9 kW
1920055 - 1920083 ^	24,5	25,5	10	10	65	1/2"	1/2"	3,5 bar	86,6 kW
1920091	37	38	16	16	97,5	1"	1"	3,5 bar	247,9 kW
1920010 - 1920044 ^	23	25,5	10	10	63,5	1/2"	1/2"	4 bar	97,5 kW
1920015	23	28,5	13	13	66,5	3/4"	3/4"	4 bar	97,5 kW
1920069 *	25,5	33,5	16,5	18	69	1/2"	3/4"	4 bar	97,5 kW
1920023	35,5	38	16	16	96	1"	1"	4 bar	279,3 kW
1920020 - 1920084 ^	24,5	25,5	10	10	65	1/2"	1/2"	4 bar	97,5 kW
1920092	37	38	16	16	97,5	1"	1"	4 bar	279,3 kW
1920053 - 1920065 ^	23	25,5	10	10	63,5	1/2"	1/2"	5 bar	115,4 kW
1920071	23	28,5	13	13	66,5	3/4"	3/4"	5 bar	115,4 kW
1920070 *	25,5	33,5	16,5	18	69	1/2"	3/4"	5 bar	115,4 kW
1920077	35,5	38	16	16	96	1"	1"	5 bar	330,5 kW
1920059 - 1920085 ^	24,5	25,5	10	10	65	1/2"	1/2"	5 bar	115,4 kW
1920093	37	38	16	16	97,5	1"	1"	5 bar	330,5 kW
1920006 - 1920058 ^	23	25,5	10	10	63,5	1/2"	1/2"	6 bar	135,8 kW
1920007	23	28,5	13	13	66,5	3/4"	3/4"	6 bar	135,8 kW
1920039 *	25,5	33,5	16,5	18	69	1/2"	3/4"	6 bar	135,8 kW
4720006 *	25,5	33,5	16,5	18	69	1/2"	3/4"	6 bar	135,8 kW
1920009	35,5	38	16	16	96	1"	1"	6 bar	388,9 kW
1920005 - 1920049 ^	24,5	25,5	10	10	65	1/2"	1/2"	6 bar	135,8 kW
1920102	37	38	16	16	97,5	1"	1"	6 bar	388,9 kW
1920022 - 1920051 ^	23	25,5	10	10	63,5	1/2"	1/2"	7 bar	157,4 kW
1920036	23	28,5	13	13	66,5	3/4"	3/4"	7 bar	157,4 kW
1920057 *	25,5	33,5	16,5	18	69	1/2"	3/4"	7 bar	157,4 kW
1920016	35,5	38	16	16	96	1"	1"	7 bar	450,7 kW
1920029 - 1920047 ^	24,5	25,5	10	10	65	1/2"	1/2"	7 bar	157,4 kW
1920019	37	38	16	16	97,5	1"	1"	7 bar	450,7 kW
1920035 - 1920094 ^	23	25,5	10	10	63,5	1/2"	1/2"	8 bar	173,1 kW
1920030	23	28,5	13	13	66,5	3/4"	3/4"	8 bar	173,1 kW
1920096 *	25,5	33,5	16,5	18	69	1/2"	3/4"	8 bar	173,1 kW
1920026	35,5	38	16	16	96	1"	1"	8 bar	495,8 kW
1920037 - 1920099 ^	24,5	25,5	10	10	65	1/2"	1/2"	8 bar	173,1 kW
1920024	37	38	16	16	97,5	1"	1"	8 bar	495,8 kW
1920011 - 1920095 ^	23	25,5	10	10	63,5	1/2"	1/2"	9 bar	192,4 kW
1920043	23	28,5	13	13	66,5	3/4"	3/4"	9 bar	192,4 kW
1920097 *	25,5	33,5	16,5	18	69	1/2"	3/4"	9 bar	192,4 kW
1920050 - 1920100 ^	24,5	25,5	10	10	65	1/2"	1/2"	9 bar	192,4 kW
1920018 - 1920056 ^	23	25,5	10	10	63,5	1/2"	1/2"	10 bar	209,8 kW
1920031	23	28,5	13	13	66,5	3/4"	3/4"	10 bar	209,8 kW
1920098 *	25,5	33,5	16,5	18	69	1/2"	3/4"	10 bar	209,8 kW
1920038 - 1920101 ^	24,5	25,5	10	10	65	1/2"	1/2"	10 bar	209,8 kW

\*Bigger outlet size versions

^Versions with manometer 1/4"

### Installation

The safety relief valves can be installed in horizontal or vertical position respecting the flow direction indicated on the valve body.

The valve correct size shall be defined by a specialized personel looking at the circuit desing and in respect of the current legislation.

The discharge pipework shall be also desinged in order to avoid any damages to persons or goods and in order to ensure the correct valve operation.

On hot water system the valve shall be installed near to the hot water storage and any shut-off device can be installed in between.

On heating systems the valve shall be installed in the upper side of the boiler or on the flow pipework at a maximun distance of one meter and any one shut-off device shall be installed in between.

For any further information please refer to your local dealer or directly to TIEMME S.p.A.